



PARTS CATALOG
LISTA DE PIEZAS

EDR-210
Engine Drill

SERIAL NUMBER
NÚMERO DE SERIE

E01305001001-E01305999999

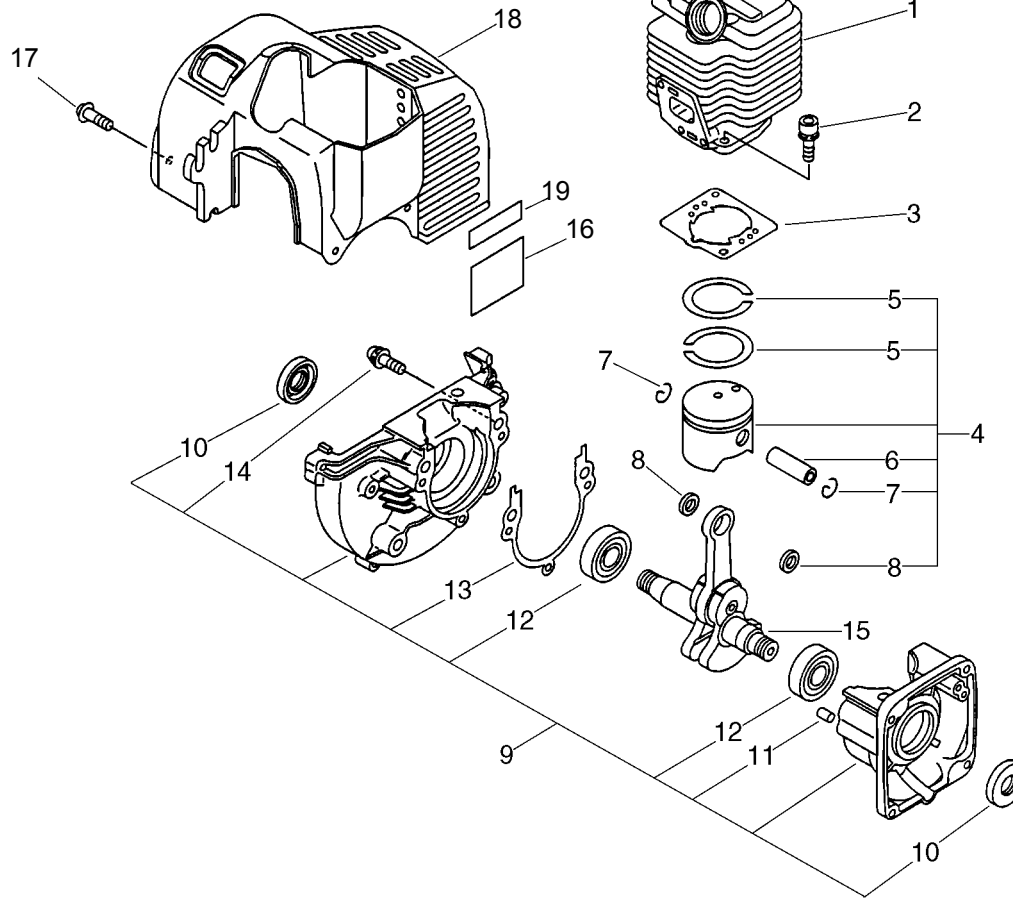
E01407001001-E01407999999

ECHO, INCORPORATED

400 Oakwood Road Lake Zurich, Illinois 60047
WWW.ECHO-USA.COM

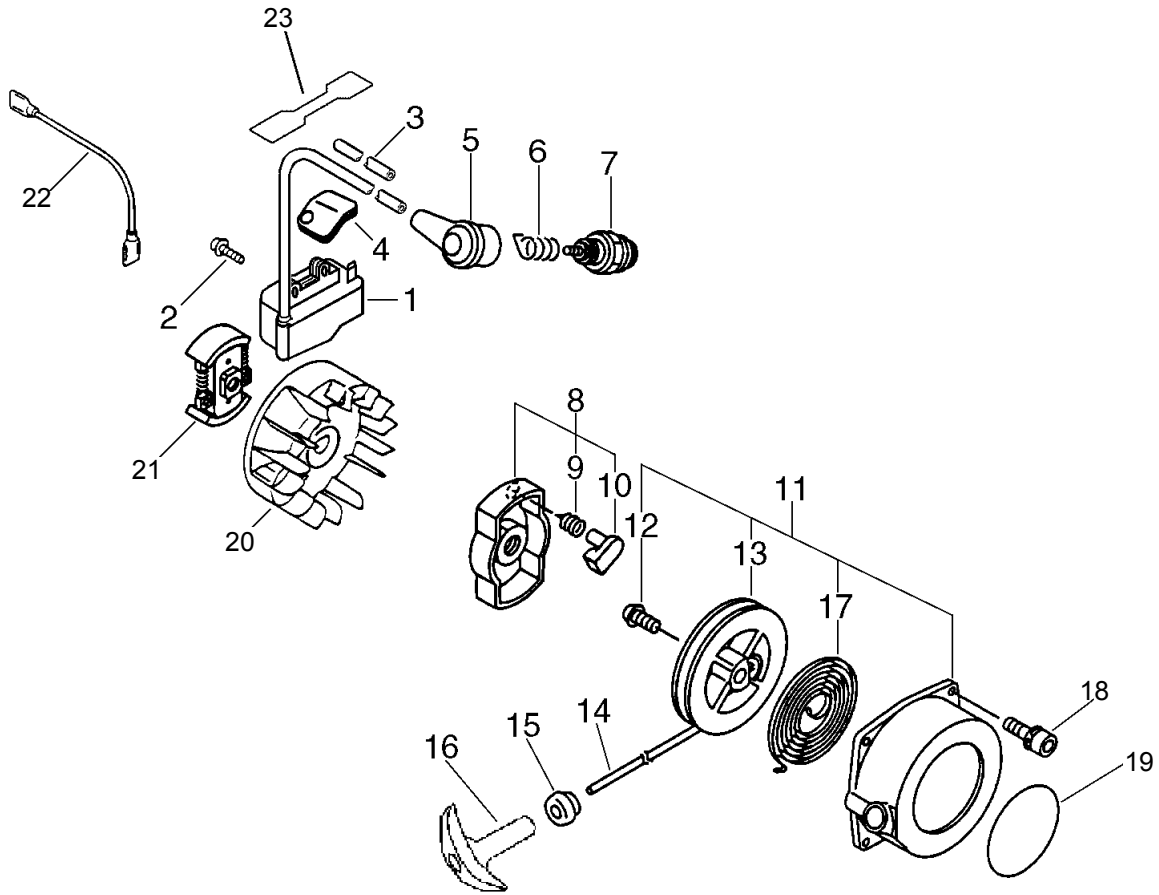
Engine, Cylinder Cover	3
Motor Cubierta, Cilindro	
Ignition, Starter, Clutch	4
Motor, Medio Motor	
Intake, Exhaust	6
Motor, Medio Motor	
Fuel System	7
Caja del ventilador, Embrague	
Ignition, Flywheel	7
Encendido, Volante	
Chuck, Gear Case, Handle	8
Arrancador Autorretráctil	
Handle, Throttle Control, Tools	10
Filtro de aire, Admisión	
Carburetor	12
Escape	
Fuel System	11
Sistema de combustible	
Carburetor	12
Carburador	

Engine, Cylinder Cover
Motor, Cubierta, Cilindro



NO.	PART NUMBER	QTY.	DESCRIPTION	DESCRIPCIÓN	
1	A130000430	1	CYLINDER	CILINDRO	
2	90016205022	2	SCREW - 5X22	TORNILLO - 5X22	
3	V100000080	1	GASKET, CYLINDER	JUNTA, CILINDRO	
4	P021001102	1	PISTON KIT	KIT DE PISTÓN	
5	+	A101000000	2	RING, PISTON	ANILLO, PISTÓN
6	+	10001311520	1	PIN, PISTON	PASADOR, PISTÓN
7	+	10001504630	2	RING, RETAINING	ANILLO, RETÉN
8	+	10001411520	2	SPACER, PISTON	ESPACIADOR, PISTÓN
9	10020452133	1	CRANKCASE KIT	KIT DE CÁRTER	
10	+	10021242031	2	SEAL, OIL	SELLO, ACEITE
11	+	10021503930	4	PIN, DOWEL	CLAVIJA
12	+	9403536201	2	BEARING, BALL - 6201	COJINETE DE BOLAS - 6201
13	+	10024242030	1	GASKET, CRANKCASE	JUNTA, CÁRTER
14	+	90016205028	3	SCREW - 5X28	TORNILLO - 5X28
15	A011000101	1	CRANKSHAFT ASY	CONJUNTO DE CIGÜEÑAL	
16	X505002570	1	LABEL - CAUTION	ETIQUETA - PRECAUCIÓN	
17	90024204012	2	SCREW - 4X12	TORNILLO - 4X12	
18	10151424360	1	COVER, ENGINE	CUBIERTA, MOTOR	
19	X503009430	1	LABEL - MODEL -- EDR-210	ETIQUETA - MODELO -- EDR-210	

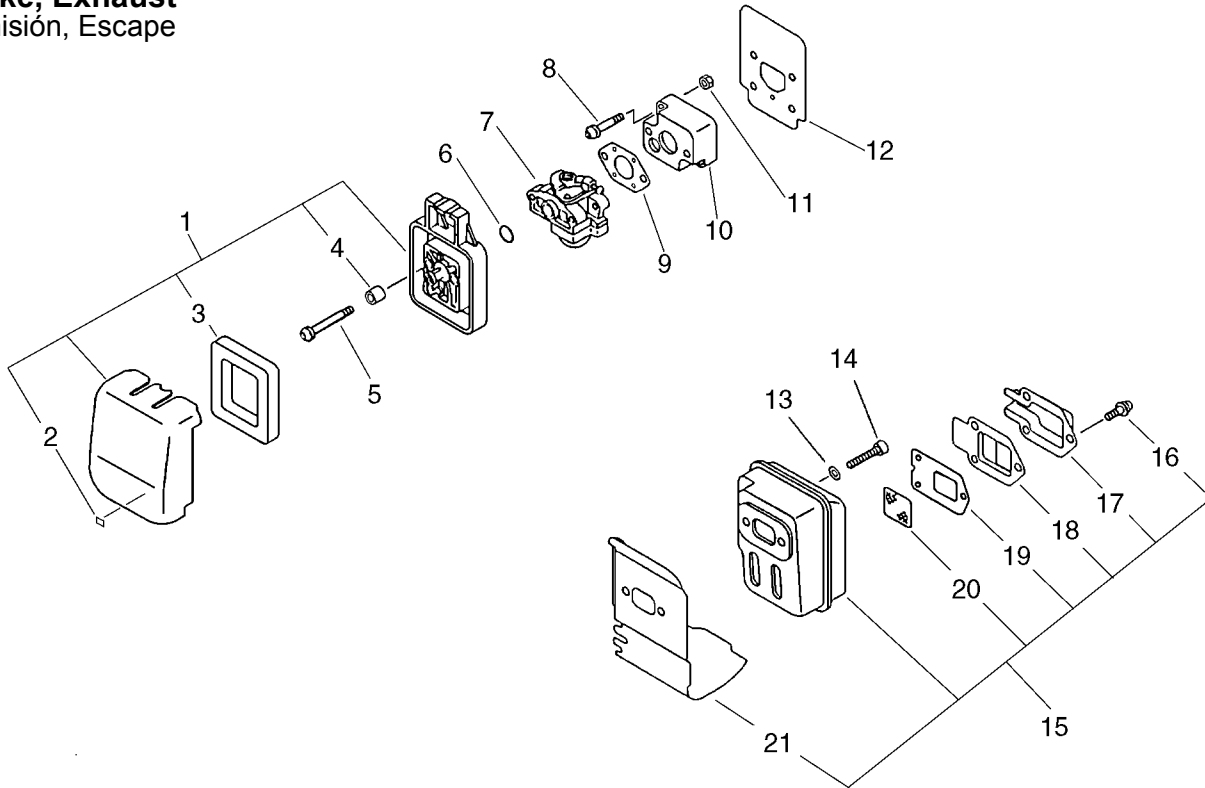
Ignition, Starter, Clutch
Ignición, Arrancador, Embrague



Ignition, Starter, Clutch
Ignición, Arrancador, Embrague

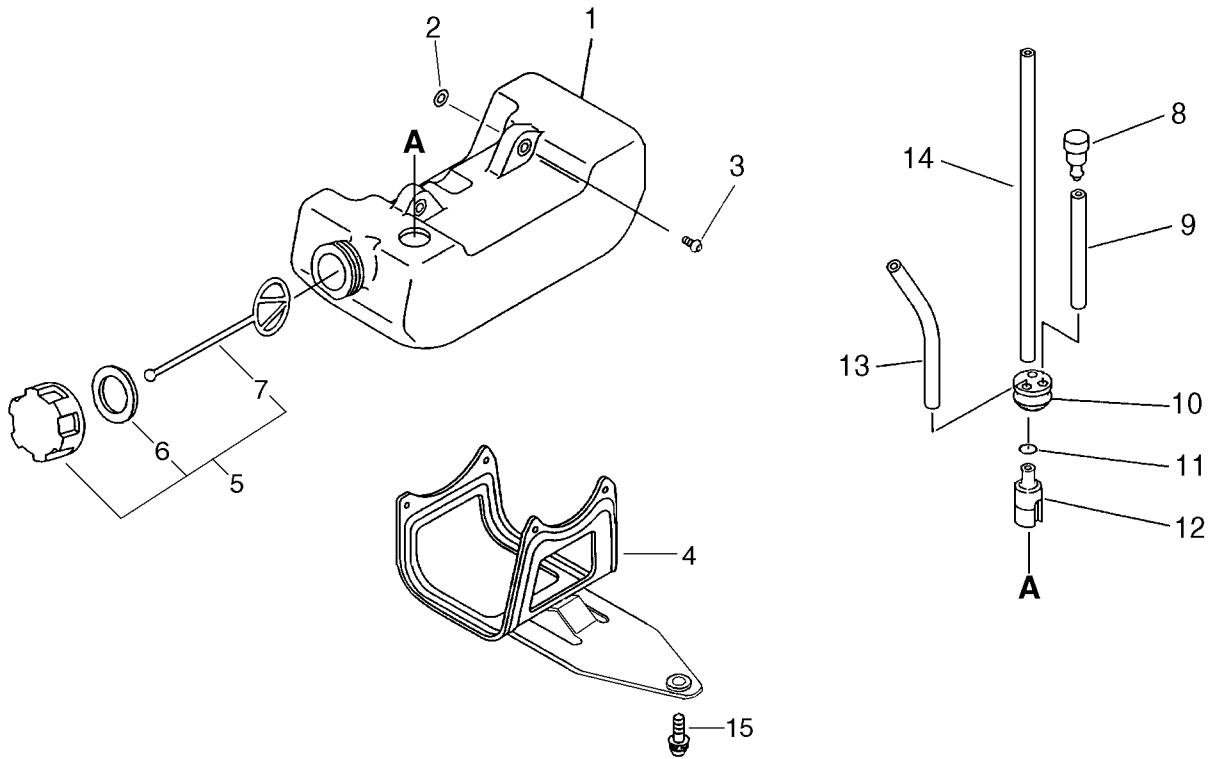
NO.		PART NUMBER	QTY.	DESCRIPTION	DESCRIPCIÓN
1		A411000130	1	COIL, IGNITION	BOBINA, IGNICIÓN
2		90016204020	2	SCREW - 4X20	TORNILLO - 4X20
3		15611054930	1	TUBE, INSULATOR	TUBO, AISLANTE
4		15011242030	1	GROMMET	ANILLO DE GOMA
5		15901201620	1	CAP, SPARK PLUG	TAPA, BUJÍA
6		15901103432	1	TERMINAL, SPARK PLUG CAP	TERMINAL, CAPUCHÓN DE BUJÍA
7		15901019830	1	SPARK PLUG -- BPM-8Y	BUJÍA -- BPM-8Y
8		17720244331	1	STARTER PAWL ASY	CONJUNTO DE TRINQUETE DEL ARRANCADOR
9	+	17723412220	1	SPRING, RETURN	RESORTE, RETORNO
10	+	17721844330	1	PAWL, STARTER	TRINQUETE, ARRANCADOR
11		17720044433	1	STARTER ASY	CONJUNTO DE ARRANCADOR
12	+	17723644330	1	SCREW	TORNILLO
13	+	17721544430	1	REEL, ROPE	CARRETE, CUERDA
14	+	17722644330	1	ROPE, STARTER	CUERDA, ARRANCADOR
15	+	17722742030	1	GUIDE, ROPE	GUÍA, CUERDA
16	+	17722844330	1	GRIP, STARTER	AGARRE, ARRANCADOR
17	+	17722042030	1	SPRING, REWIND	RESORTE, REBOBINADO
18		90016204016	4	SCREW - 4X16	TORNILLO - 4X16
19		X502000330	1	LABEL - ECHO	ETIQUETA - ECHO
20		A409000160	1	FLYWHEEL	VOLANTE
21		17500052131	1	CLUTCH ASY	CONJUNTO DE EMBRAGUE
22		V485000290	1	LEAD - GROUND	CABLE - DE TIERRA
23		X532000671	1	LABEL - SPARK PLUG -- BPM-8Y	ETIQUETA - BUJÍA -- BPM-8Y

Intake, Exhaust
Admisión, Escape



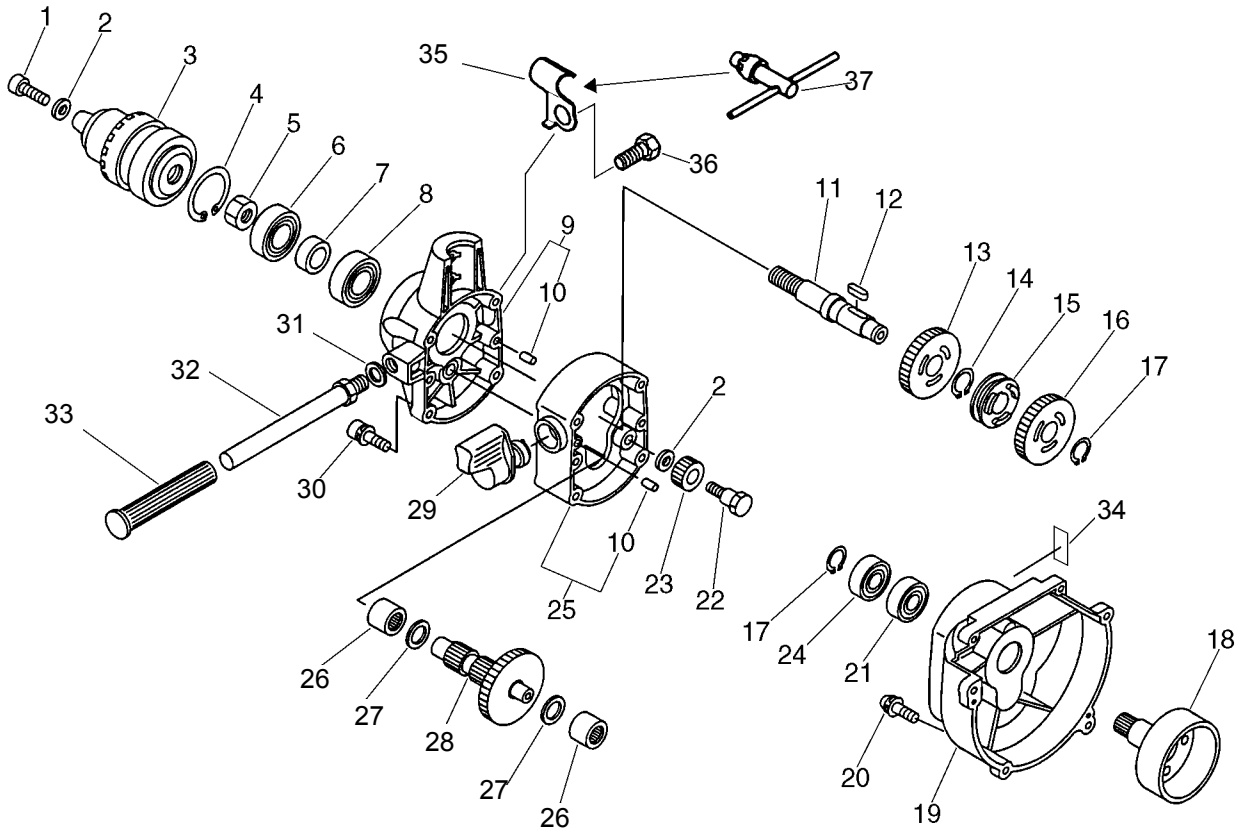
NO.		PART NUMBER	QTY.	DESCRIPTION	DESCRIPCIÓN
1		13030045130	1	AIR CLEANER ASY	CONJUNTO DE FILTRO DE AIRE
2	+	89099120960	1	LABEL	ETIQUETA
3	+	13031044330	1	FILTER, AIR	FILTRO DE AIRE
4	+	13032744330	2	SLEEVE	MANGUITO
5		90024205064	2	SCREW - 5X64	TORNILLO - 5X64
6		90072000015	1	O-RING - 15	ANILLO O - 15
7		A021000541	1	CARBURETOR -- WYL-180A	CARBURADOR -- WYL-180A
8		90024205022	2	SCREW - 5X22	TORNILLO - 5X22
9		13001044431	1	GASKET, INTAKE	JUNTA, ADMISIÓN
10		13001744331	1	INSULATOR, INTAKE	AISLANTE, ADMISIÓN
11		90050000005	2	NUT - 5	TUERCA - 5
12		13001042032	1	SHIELD, INTAKE	PROTECTOR, ADMISIÓN
13		90060000005	2	WASHER - 5	ARANDELA - 5
14		90010505055	2	SCREW - 5X55	TORNILLO - 5X55
15		P021000583	1	MUFFLER ASY	CONJUNTO DE SILENCIADOR
16	+	90024204010	3	SCREW - 4X10	TORNILLO - 4X10
17	+	A313000041	1	GUIDE, EXHAUST - OUTER	GUÍA, ESCAPE - EXTERIOR
18	+	14587642030	1	GUIDE, EXHAUST - INNER	GUÍA, ESCAPE - INTERIOR
19	+	V104000003	1	GASKET, EXHAUST	JUNTA, ESCAPE
20	+	14586240630	1	SCREEN, SPARK ARRESTER	PANTALLA, SUPRESOR DE CHISPAS
21	+	14551044331	1	GASKET, EXHAUST	JUNTA, ESCAPE

Fuel System
Sistema de Combustible



NO.	PART NUMBER	QTY.	DESCRIPTION	DESCRIPCIÓN
1	13100544332	1	TANK, FUEL	TANQUE, COMBUSTIBLE
2	90060300005	2	WASHER - 5	ARANDELA - 5
3	90024305016	2	SCREW - 5X16	TORNILLO - 5X16
4	A175000000	1	STAND	APOYO
5	13100408960	1	CAP ASY	CONJUNTO DE TAPA
6	+	13101655830	GASKET	JUNTA
7	+	13105152430	CONNECTOR, CAP	CONECTOR, TAPA
8	13130056430	1	VENT ASY	CONJUNTO DE RESPIRADERO
9	13131205560	1	PIPE, VENT - 3X5X30	TUBO, RESPIRADERO - 3X5X30
10	13211546730	1	GROMMET, FUEL	ANILLO DE GOMA, COMBUSTIBLE
11	13201309820	1	CLIP	GANCHO
12	13120507320	1	FILTER, FUEL	FILTRO DE COMBUSTIBLE
13	13201256030	1	PIPE, RETURN - 3X6X80	TUBO, RETORNO - 3X6X80
14	13201005560	1	PIPE, PRIMER - 3X5X160	TUBO, CEBADOR - 3X5X160
15	90024205016	1	SCREW - 5X16	TORNILLO - 5X16

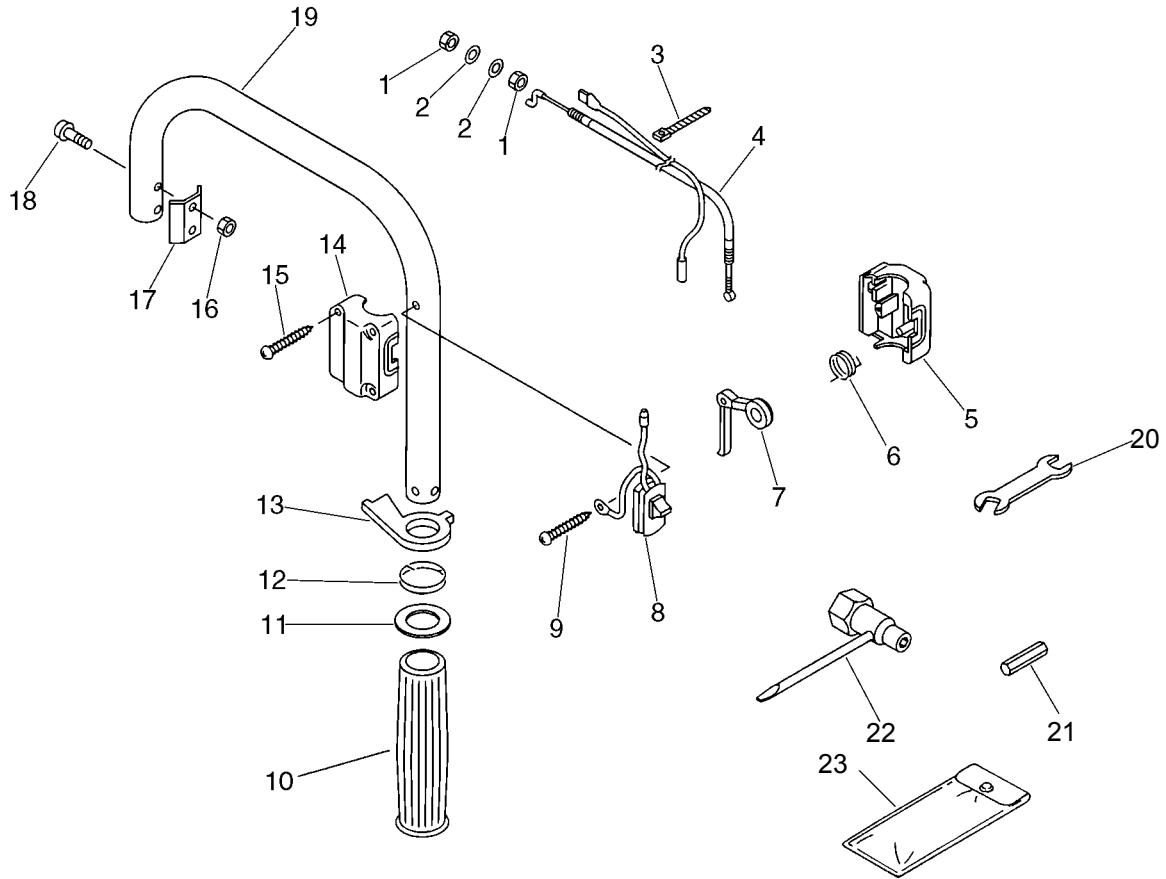
Chuck, Gear Case, Handle
Arrancador Autorretráctil



NO.		PART NUMBER	QTY.	DESCRIPTION	DESCRIPCIÓN
1		90010506020	1	SCREW - 6X20	TORNILLO - 6X20
2		17501404630	2	WASHER - 6	ARANDELA - 6
3		60405105560	1	CHUCK	MANDRIL
4		90070200032	1	RING, RETAINING - 32	ANILLO, RETÉN - 32
5		22431920960	1	NUT - 12	TUERCA - 12
6		90080206002	1	BEARING, BALL - 6002	COJINETE DE BOLAS - 6002
7		60404405560	1	COLLAR	ESPACIADOR
8		90080036002	1	BEARING, BALL - 6002	COJINETE DE BOLAS - 6002
9		60430520960	1	GEAR CASE ASY	CONJUNTO DE CAJA DE ENGRANAJES
10	+	10021503930	2	PIN, DOWEL	CLAVIJA
11		60602120960	1	SHAFT, AXLE	EJE, ÁRBOL
12		90032504016	1	KEY, WOODRUFF - 4X16	CHAVETA, WOODRUFF - 4X16
13		60421320960	1	GEAR, SPUR	ENGRANAJE RECTO
14		90070100015	1	RING, RETAINING - 15	ANILLO, RETÉN - 15
15		60423520960	1	NAIL, CLUTCH	CLAVO, EMBRAGUE
16		60422420960	1	GEAR, SPUR	ENGRANAJE RECTO
17		90070100012	2	RING, RETAINING - 12	ANILLO, RETÉN - 12
18		17500505560	1	DRUM, CLUTCH	TAMBOR, EMBRAGUE
19		10151120960	1	CASE, FAN	CARCASA, VENTILADOR
20		90024204016	4	SCREW - 4X16	TORNILLO - 4X16
21		90080106001	1	BEARING, BALL - 6001	COJINETE DE BOLAS - 6001
22		17504622332	1	BOLT, CLUTCH	PERNO, EMBRAGUE
23		60531120960	1	GEAR, SPUR	ENGRANAJE RECTO
24		90080006001	1	BEARING, BALL - 6001	COJINETE DE BOLAS - 6001
25		60430620960	1	CASE, GEAR	CARCASA, ENGRANAJES
26		60422105560	2	BEARING, NEEDLE	COJINETE, DE AGUJAS
27		60422305560	2	WASHER	ARANDELA
28		60420620961	1	GEAR, SHAFT	ENGRANAJE, EJE
29		70300520960	1	LEVER, CLUTCH	PALANCA, EMBRAGUE
30		90016205050	4	SCREW - 5X55	TORNILLO - 5X55
31		90060000010	1	WASHER - 10	ARANDELA - 10
32		C400000090	1	HANDLE - FRONT	MANGO - DELANTERO
33		35151522330	1	GRIP, HANDLE	AGARRE, MANGO
34		X505002310	1	LABEL - CAUTION -- HOT	ETIQUETA - PRECAUCIÓN -- CALIENTE
35		89757505560	1	SPRING, FLAT	RESORTE, PLANO
36		90010010015	1	BOLT - 10X15	PERNO - 10X15
37		89757005560	1	KEY, CHUCK	LLAVE, MANDRIL

Handle, Throttle Control, Tools

Escape

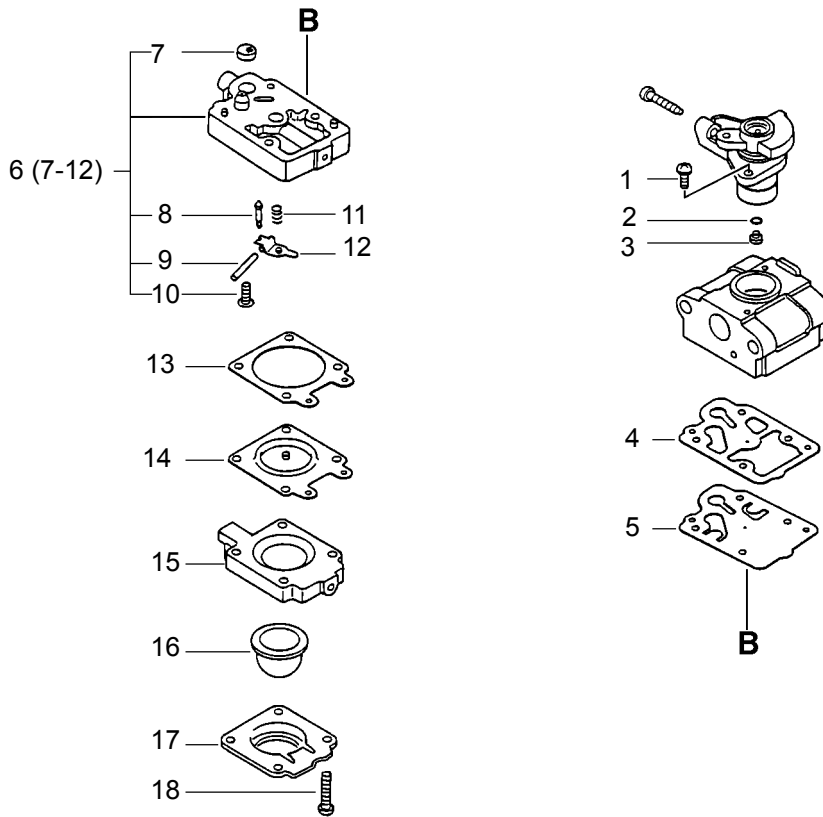


Handle, Throttle Control, Tools

Escape

NO.	PART NUMBER	QTY.	DESCRIPTION	DESCRIPCIÓN
1	90050200006	2	NUT - 6	TUERCA - 6
2	90060000006	2	WASHER - 6	ARANDELA - 6
3	17812156030	1	TIE, CABLE	AMARRE, CABLE
4	17810009061	1	CONTROL CABLE ASY	CONJUNTO DE CABLE DE CONTROL
5	17802401261	1	BRACKET, THROTTLE CONTROL - RIGHT	SOPORTE, CONTROL DEL ACELERADOR - DERECHO
6	17804301260	1	SPRING, TRIGGER	RESORTE, GATILLO
7	17801007660	1	TRIGGER, THROTTLE	GATILLO, ACELERADOR
8	16340004460	1	IGNITION SWITCH ASY	CONJUNTO DE INTERRUPTOR DEL ENCENDIDO
9	90024504030	1	SCREW - 4X30	TORNILLO - 4X30
10	35131527931	1	GRIP, HANDLE - RIGHT	AGARRE, MANGO - DERECHO
11	17807002061	1	SPACER	ESPACIADOR
12	17801302060	1	SPRING, THROTTLE LOCK	RESORTE, TRABA DEL ACELERADOR
13	17801202061	1	LOCKOUT, TRIGGER	TRABA, GATILLO
14	17805201261	1	BRACKET, THROTTLE CONTROL - LEFT	SOPORTE, CONTROL DEL ACELERADOR - IZQUIERDO
15	90024504025	4	SCREW - 4X25	TORNILLO - 4X25
16	90056000005	2	LOCKNUT - 5	CONTRATUERCA - 5
17	35164105560	1	PLATE, HANDLE	PLACA, MANGO
18	90016205035	2	SCREW - 5X35	TORNILLO - 5X35
19	35130520960	1	HANDLE - REAR	MANGO - TRASERO
20	89512220960	1	OPEN END WRENCH	LLAVE DE TUERCAS, ABIERTA
21	89541220960	1	HEX BAR	BARRA HEX
22	89541003930	1	WRENCH 10 X 19	LLAVE DE TUERCAS 10 X 19
23	X698000050	1	BAG, TOOL	BOLSA DE HERRAMIENTAS

Carburetor
Carburador



NO.		PART NUMBER	QTY.	DESCRIPTION	DESCRIPCIÓN
		A021000541	1	CARBURETOR -- WYL-180A	CARBURADOR -- WYL-180A
1	+	12311444330	2	SCREW, VALVE	TORNILLO, VÁLVULA
2	+	12318340630	1	O-RING	ANILLO O
3	+	P003000470	1	JET	BOQUILLA
4	+	12312540630	1	GASKET, PUMP	JUNTA, BOMBA
5	+	12311240630	1	DIAPHRAGM, PUMP	DIAFRAGMA, BOMBA
6	+	12317905560	1	BASE, PURGE	BASE, PURGA
7	++	12312610631	1	STRAINER	TAMIZ
8	++	12313719830	1	VALVE, INLET NEEDLE	VÁLVULA DE AGUJA, ADMISIÓN
9	++	12313803930	1	PIN, METERING LEVER	PASADOR, PALANCA DE DOSIFICACIÓN
10	++	12313905560	1	SCREW, METERING LEVER PIN	TORNILLO, PASADOR DE RETÉN
11	++	12312205560	1	SPRING, METERING LEVER	RESORTE, PALANCA DE DOSIFICACIÓN
12	++	12312303930	1	LEVER, METERING	PALANCA, DOSIFICACIÓN
13	+	12314005560	1	GASKET, METERING	JUNTA, DOSIFICACIÓN
14	+	P003000090	1	DIAPHRAGM, METERING	DIAFRAGMA, DOSIFICACIÓN
15	+	12318005560	1	BASE, PURGE	BASE, PURGA
16	+	12318140630	1	BULB, PURGE	BULBO, PURGA
17	+	12314205560	1	RETAINER, PURGE BULB	RETÉN, BULBO DE LA PURGA
18	+	12311005560	4	SCREW, PUMP COVER	TORNILLO, CUBIERTA DE LA BOMBA



ECHO, INCORPORATED

400 Oakwood Road

Lake Zurich, Illinois 60047

WWW.ECHO-USA.COM